

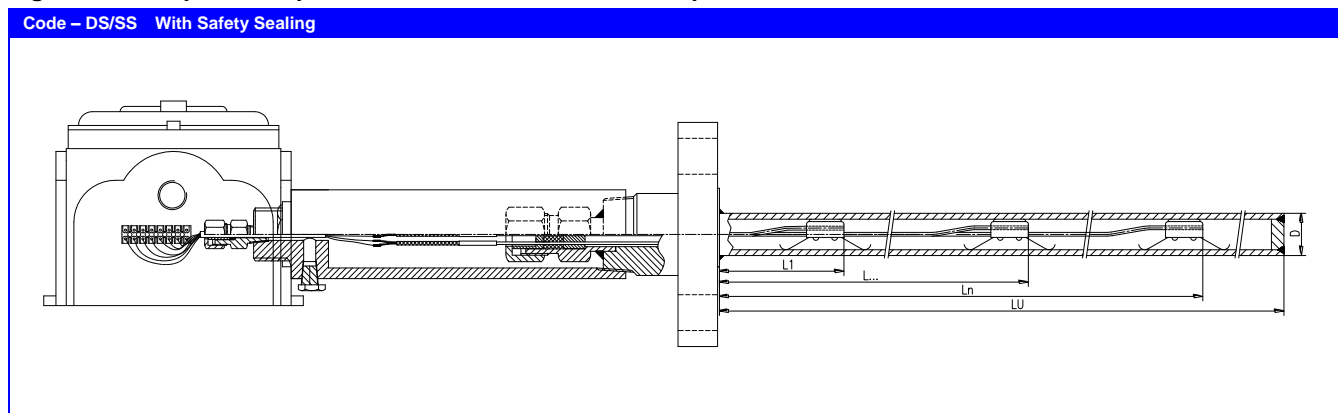
ORDERING INFORMATION - MODEL IS80C

Model	Product Description		
IS80C	Series IS80C Safety Sealing Multipoint Thermocouple with Thermowell -Insert with Mineral Insulation – Acc. to IEC 60584		
Code	Explosion Proof Rating		
1	Standard		
2	EEx d IIC T6 Flameproof Approval acc. EN 50018		
3	EEx ia IIC T6 Intrinsically Safety acc. EN 50020		
Code	Sensor Type	Temperature Range [°C]	
K	K : NiCr-NiSi	0 to +1200	
N	N : NiCr rSi-NiSi	0 to +1260	
J	J : Fe-CuNi	0 to +750	
T	T : Cu-CuNi	-180 to +400	
E	E: NiCr-CuNi	-200 to +900	
X	Other		
Code	Number of Measurement Points		
02	2		
03	3		
04	4		
05	5		
06	6		
XX	Other		
Code	Precision Class	Tolerance- K,N,J,E	Tolerance- T
1	Class 1	±1.5 °C or ±0.0040 t °C	±0.5 °C or ±0.0040 t °C
2	Class 2	±2.5 °C or ±0.0075 t °C	±1.0 °C or ±0.0075 t °C
Code	Number of Elements		
12	Single		
22	Double		
Code	Measuring Junction Type		
U	Insulated		
X	Other		
Code	Sheath Material		
A10	AISI 316 (DIN1.4401) for Type J, T, E		
A22	INCONEL 600 (DIN2.4816) for Type K, N		
A35	Pyrosil, For Type K,N		
XXX	Other		
Code	Assembly Type		
DS	Double Safety Sealing with Thermowell Assembly		
SS	Single Safety Sealing with Thermowell Assembly		
XX	Other		
Code	Connection Enclosure Type	IP Rating	
G	GUB Standard Series Stainless Steel Junction Box	67	
E	GUB EEx'd/e Series Aluminium Junction Box	67	
X	Other		
Code	Wire Entry		
N1	1/2" NPT F		
N2	3/4" NPT F		
N3	1" NPT F		
N4	1-1/2" NPT F		
N5	2" NPT F		
XX	Other		
Code	Number of Wire Entry		
01	1		
02	2		
03	3		
04	4		
XX	Other		
Code	Process Connection Size		
U1	1"		
U2	1-1/2"		
U3	2"		
U4	3"		
U5	4"		
U6	5"		
U7	6"		
XX	Other		
Code	Flange Rating		
P1	ANSI 150 LBS		
P2	ANSI 300 LBS		
P3	ANSI 600 LBS		
P4	ANSI 900 LBS		
P5	ANSI 1500 LBS		
P6	ANSI 2500 LBS		
Code	Flange Finish		
RF	Raise Face		
FF	Flat Face		
RJ	Ring Joint Face		
XX	Other		

Code	Material of Process connection and Thermowell
A10	AISI 316(DIN1.4401)
A11	AISI 316Ti(DIN1.4571)
A12	AISI 316L(DIN1.4404)
A14	AISI 321(DIN1.4541)
A15	AISI 314(DIN1.4841)
A16	AISI 347(DIN1.4550)
A18	AISI 310(DIN1.4845)
A20	AISI 446(DIN1.4762)
A22	INCONEL 600(DIN2.4816)
A23	INCOLOY 800(DIN1.4876)
A24	Hastelloy C-276
A25	Hastelloy B
A26	Hastelloy C-4
A27	Monel 400
A28	Duplex
XXX	Other
Code	Insertion Length, LU [mm]
01000	1000
02000	2000
03000	3000
XXXXX	Other
Code	Extension Length, N [mm]
300	300
350	350
XXX	Other
Code	Thermowell Outer Diameter, D [inch]
D18	1/8"
D38	3/8"
D48	1/2"
D68	3/4"
D88	1"
D98	1-1/2"
XXX	Other
Code	Insert Diameter, d [mm]
30	3
45	4.5
60	6
80	8
X	Other
Code	Measurement Point Position, L1 to Ln
A	Equally Distributed Points (last point placed 50mm from bottom of thermowell)
B	Customer Specified - Configuration Date Sheet Required
Code	Additional Options
G	Cable Gland
V	Leak Check Valve and Pressure Gauge
X	Other

Typical Model Number: IS80C 3 K 06 1 12 U A22 DS G N3 02 U4 P5 RJ A11 03000 300 D88 30 B G

Figure for Multipoint Temperature Measurement Thermocouples



Model IS80C Multipoint Thermocouples Configuration Date Sheet

Please Copy This Form, Complete it as Our Required, and Attached to Your Order

Customer Name: _____
 Address: _____
 Contact Person: _____
 Phone: _____ Fax: _____
 Date: _____ Number of Pages _____

Specification For Orde

Enclosure Type
 Selected as Standard Option in Model Structure
 Special Requirement: _____

Wire Entry
 Selected as Standard Option in Model Structure
 Special Requirement: _____

Thermowell & Flange Material
 Selected as Standard Option in Model Structure
 Special Requirement: _____

Thermowell Diameter
 Selected as Standard Option in Model Structure
 Special Requirement: _____

Process Connection
 Selected as Standard Option in Model Structure
 Special Requirement: _____

Measurement point Position Distribution
 Selected as Standard Option in Model Structure
 Special Requirement: _____

Measurement Point	Tag No.	Distance from Flange Face, mm	Temperature Range, °C
L1			
L2			
L3			
L4			
L5			
L6			
L7			
L8			
L9			
L10			
L11			
L12			
L13			
L14			
L15			
L16			
L17			
L18			
L19			
L20			

Model IS80C Multipoint Thermocouples Configuration Date Sheet

Please Copy This Form, Complete it as Our Required, and Attached to Your Order

Customer Name: _____
 Address: _____
 Contact Person: _____
 Phone: _____ Fax: _____
 Date: _____ Number of Pages _____

Specification For Orde

Enclosure Type
 Selected as Standard Option in Model Structure
 Special Requirement: _____

Wire Entry
 Selected as Standard Option in Model Structure
 Special Requirement: _____

Thermowell & Flange Material
 Selected as Standard Option in Model Structure
 Special Requirement: _____

Thermowell Diameter
 Selected as Standard Option in Model Structure
 Special Requirement: _____

Process Connection
 Selected as Standard Option in Model Structure
 Special Requirement: _____

Measurement point Position Distribution
 Selected as Standard Option in Model Structure
 Special Requirement: _____

Measurement Point	Tag No.	Distance from Flange Face, mm	Temperature Range, °C
L1			
L2			
L3			
L4			
L5			
L6			
L7			
L8			
L9			
L10			
L11			
L12			
L13			
L14			
L15			
L16			
L17			
L18			
L19			
L20			