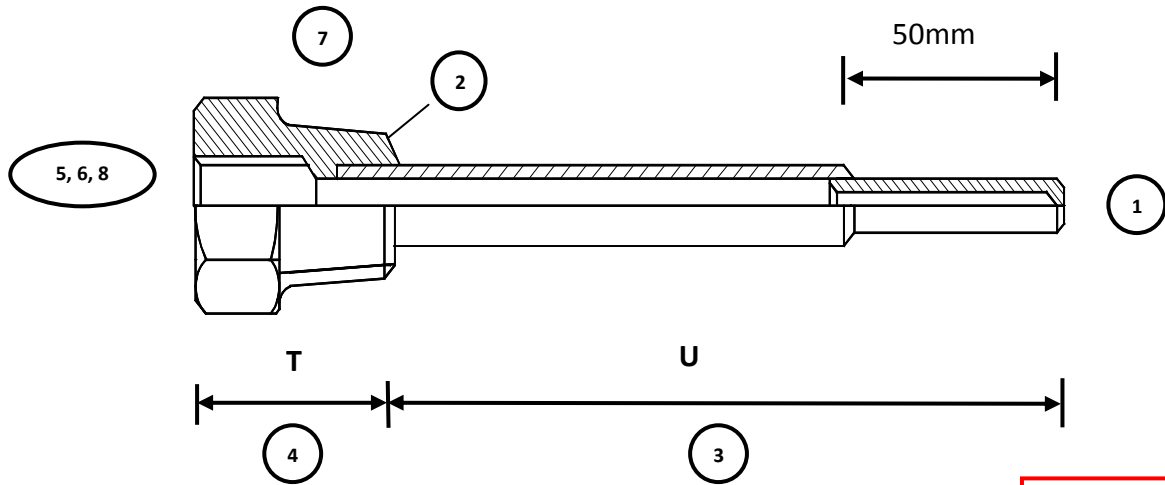
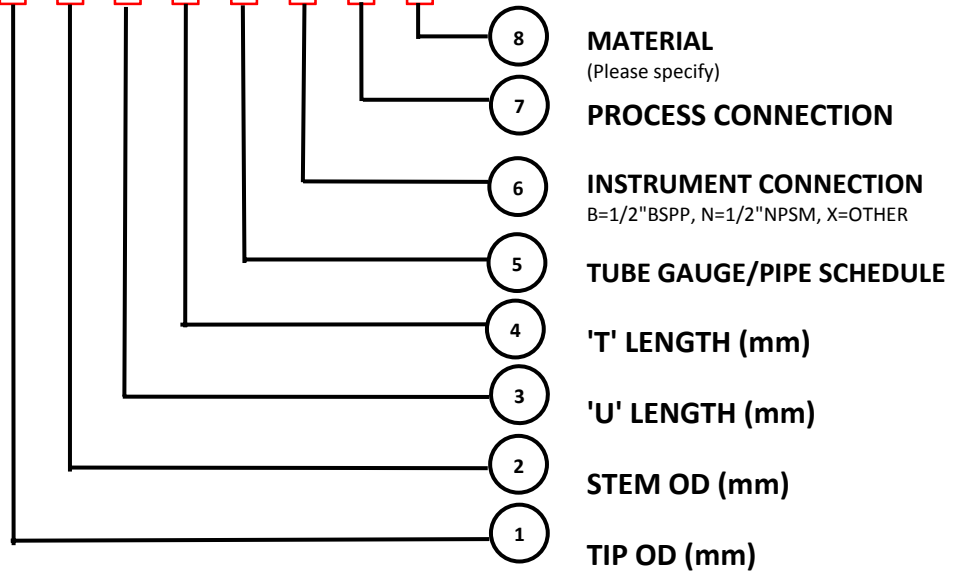


TYPE SSF: FABRICATED SCREWED SOLID TIP



Refer to Drawing PY0240
for details on instrument
connection

TW-SSF-□-□-□-□-□-□-□-□



SELECTION

TW-SSF - _____
 1 2 3 4 5 6 7 8

Special Requirements: _____

Data Sheet TW-SSF

Pyrosales NSW
4 Wordie Place
PADSTOW NSW 2211
Tel: (02) 9790 1988
Fax: (02) 9790 1040
Email: sales@pyrosales.com.au

Pyrosales Victoria
Factory 4 Enterprise Way
BAYSWATER VIC 3153
Tel: (03) 9729 2100
Fax: (03) 9720 5559
Email: vic-sales@pyrosales.com.au

Pyrosales Queensland
Unit 1, Lot 3, 70 Flanders St
SALISBURY QLD 4107
Tel: (07) 3277 9400
Fax: (07) 3277 9495
Email: qld-sales@pyrosales.com.au