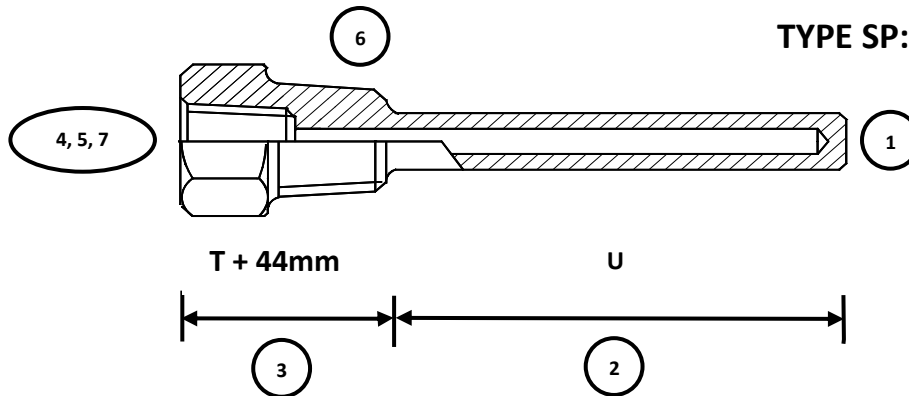
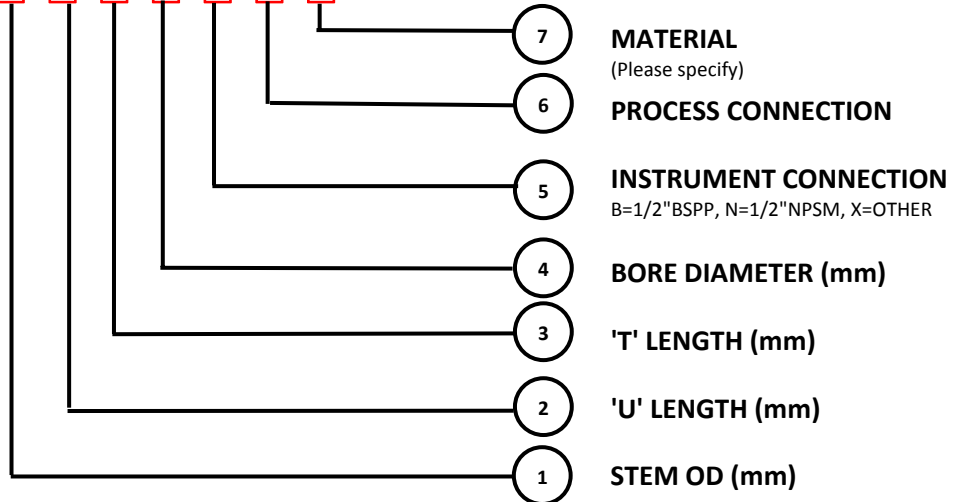


**THERMOWELL DATA SHEET
STYLE SP**

TYPE SP: SCREWED PARALLEL



TW-SP- - - - - - -



SELECTION

TW-SP - - - - - - -

1 2 3 4 5 6 7

Special Requirements: _____

Data Sheet TW-SP

www.pyrosales.com.au

Pyrosales NSW
4 Wordie Place
PADSTOW NSW 2211
Tel: (02) 9790 1988
Fax: (02) 9790 1040
Email: sales@pyrosales.com.au

Pyrosales Victoria
Factory 4 Enterprise Way
BAYSWATER VIC 3153
Tel: (03) 9729 2100
Fax: (03) 9720 5559
Email: vicsales@pyrosales.com.au

Pyrosales Queensland
Unit 1, Lot 3, 70 Flanders St
SALISBURY QLD 4107
Tel: (07) 3277 9400
Fax: (07) 3277 9495
Email: qldsales@pyrosales.com.au