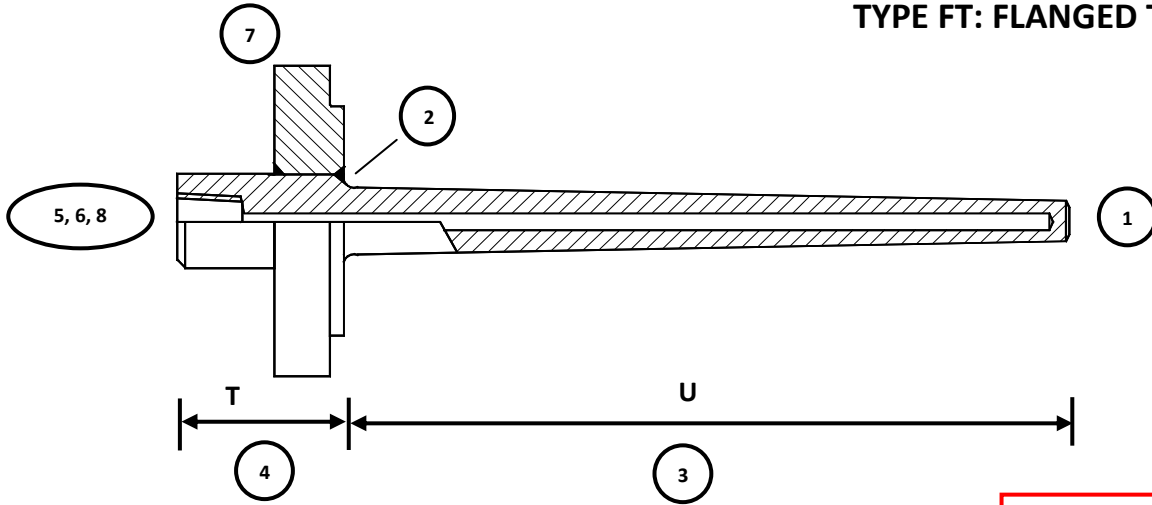


TYPE FT: FLANGED TAPERED



Refer to Drawing PY0240 for details on instrument connection

TW-FT- - - - - - - -

- 8 MATERIAL**
(Please specify)
- 7 FLANGE SIZE**
- 6 INSTRUMENT CONNECTION**
B=1/2"BSPP, N=1/2"NPSM, X=OTHER
- 5 BORE DIAMETER (mm)**
- 4 'T' LENGTH (mm)**
- 3 'U' LENGTH (mm)**
- 2 MAJOR OD (mm)**
- 1 MINOR OD (mm)**

SELECTION

TW-FT - - - - - - - -

Special Requirements: _____

Data Sheet TW-FT

www.pyrosales.com.au

Pyrosales NSW
4 Wordie Place
PADSTOW NSW 2211
Tel: (02) 9790 1988
Fax: (02) 9790 1040
Email: sales@pyrosales.com.au

Pyrosales Victoria
Factory 4 Enterprise Way
BAYSWATER VIC 3153
Tel: (03) 9729 2100
Fax: (03) 9720 5559
Email: vicsales@pyrosales.com.au

Pyrosales Queensland
Unit 1, Lot 3, 70 Flanders St
SALISBURY QLD 4107
Tel: (07) 3277 9400
Fax: (07) 3277 9495
Email: qldsales@pyrosales.com.au