

HEAD MOUNTING TRANSMITTER

Mp82820-R / Mp82830-R

2-wire head mounting transmitter

Mp82820-R / Mp82830-R

- Microprocessor based
- RTD inputs
- Fully linearized
- RFI / EMI protected
- High accuracy (Typical 0.2%)
- 5 Year warranty



Specifications

Input RTD	Pt100, Pt250, Pt500, Pt1000, Ni100, Ni500, Ni1000
Other input	Ohm
Minimum Span	25°C (45°F)
Output	4...20 mA or 20...4 mA
Linearization	On / Off
Supply	5...40 VDC, Polarity Protected
Sensor Lead Resistance, RTD	500 Ohm max.
Open Circuit Detection	Upscale / Downscale
Load Capability	Vbat-5V / 20 mA
Startup Time	10 sec.
Warmup Time	2 Min.
Ambient Operating Temp.	-40...+ 85°C (-40...+ 185°F)
Ingress Protection	IP30
Storage Temperature	-40...+100°C (-40...+ 212°F)
Housing Material	Makrolon
Housing Dimensions Mp82820-R	43mm Dia. x 23mm H. (1.69" x 0.91")
Housing Dimensions Mp82830-R	43mm Dia. x 19mm H. (1.69" x 0.75")
Housing Dimensions with Cover	49mm Dia. x 25mm H. (1.93" x 0.98")

Order information and options

Example:

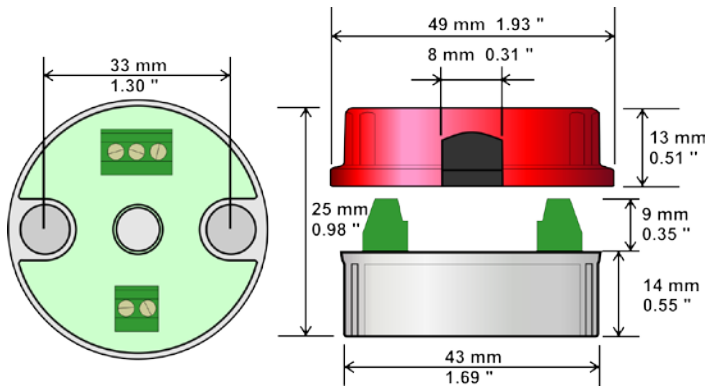
- Model Mp82820-R Transmitter with plastic connection terminals (cover included)
 Model Mp82830-R Transmitter with metal connection terminals (cover included)

Options:

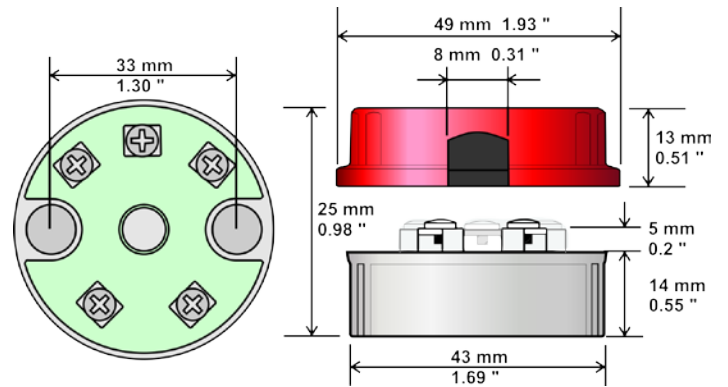
- IF = Interface and software

Dimensions

Model Mp82820-R



Model Mp82830-R



Sensor ranges

Sensor type	Temp. Min.		Temp. Max.		Span Min.	
	°C	°F	°C	°F	°C	°F
Pt100 IEC751	-200	-328	850	1562	25	45
Pt250 IEC751	-200	-328	850	1562	25	45
Pt500 IEC751	-200	-328	850	1562	25	45
Pt1000 IEC751	-200	-328	850	1562	25	45
Ni100 IEC751	-60	-76	250	482	25	45
Ni500 IEC751	-60	-76	250	482	25	45
Ni1000 IEC751	-60	-76	250	482	25	45
Ohm	0 Ω		9999 Ω		100 Ω	

HEAD MOUNTING TRANSMITTER

Mp82820-T / Mp82830-T

2-wire head mounting transmitter

Mp82820-T / Mp82830-T

- Microprocessor based
- Most common thermocouple inputs
- Fully linearized
- RFI / EMI protected
- High accuracy (Typical 0.2%)
- 5 Year warranty



Specifications

Input thermocouple	K, J, T, E, N
Minimum Span	50°C (90°F)
Output	4...20 mA or 20...4 mA
Linearization	On / Off
Cold Junction Compensation	On / Off
Supply	5...40 VDC, Polarity Protected
Sensor Lead Resistance, T/C	10K Ohm max.
Open Circuit Detection	Upscale / Downscale
Load Capability	Vbat-5V / 20 mA
Startup Time	10 sec.
Warmup Time	2 Min.
Ambient Operating Temp.	-40...+ 85°C (-40...+ 185°F)
Ingress Protection	IP30
Storage Temperature	-40...+100°C (-40...+ 212°F)
Housing Material	Makrolon
Housing Dimensions Mp82820-T	43mm Dia. x 23mm H. (1.69" x 0.91")
Housing Dimensions Mp82830-T	43mm Dia. x 19mm H. (1.69" x 0.75")
Housing Dimensions with Cover	49mm Dia. x 25mm H. (1.93" x 0.98")

Order information and options

Example:

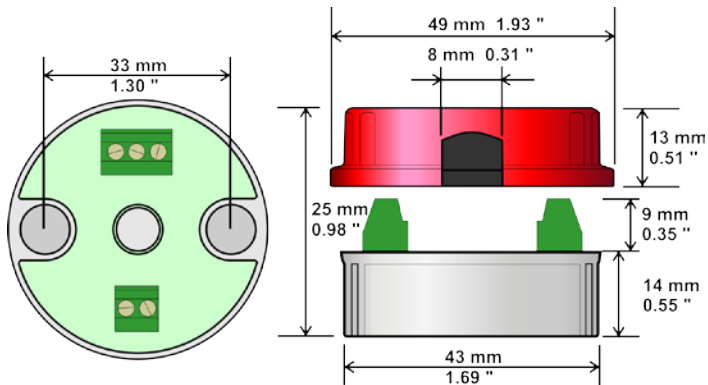
- Model Mp82820-T Transmitter with plastic connection terminals (cover included)
 Model Mp82830-T Transmitter with metal connection terminals (cover included)

Options:

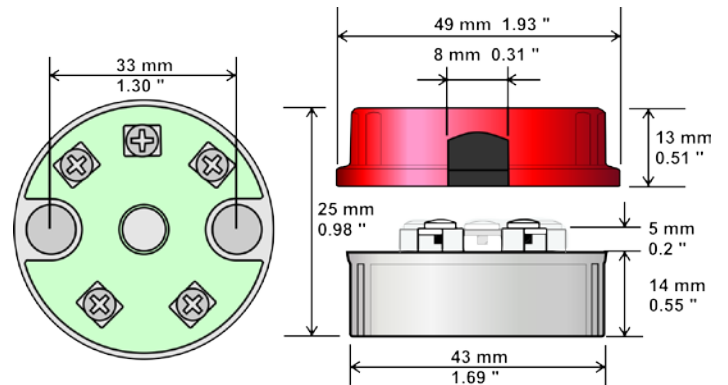
- IF = Interface and software

Dimensions

Model Mp82820-T



Model Mp82830-T



Sensor ranges

Sensor type	Temp. Min.		Temp. Max.		Span Min.	
	°C	°F	°C	°F	°C	°F
K (NiCr-Ni)	-270°C	-454°F	1370°C	2498°F	50°C	90°F
J (Fe-CuNi)	-200°C	-328°F	1200°C	2192°F	50°C	90°F
T (Cu-CuNi)	-270°C	-454°F	400°C	752°F	50°C	90°F
E (NiCr-CuNi)	-270°C	-454°F	1000°C	1832°F	50°C	90°F
N (NiCrSi-NiSiMg)	-270°C	-454°F	1300°C	2372°F	50°C	90°F