

## Highly Accurate On-Line Infrared Non-Contact Pyrometers for Aluminum and other Non Ferrous Application

350°C to 670°C • 400°C to 850°C • 450°C to 1000°C • 550°C to 1270°C

**AST A4-IN**

Materials with low or variable emissivity like Aluminium, Brass, Bronze, Copper and other non gray body materials are quite impossible to measure accurately using single or ratio wavelength Infrared Pyrometers.

**AST A4-IN** is a Multi-wavelength plug and play pyrometer use application specific

data base derived from years of experience in real application. **AST A4-IN** use special algorithms to accurately calculate both the actual temperature and

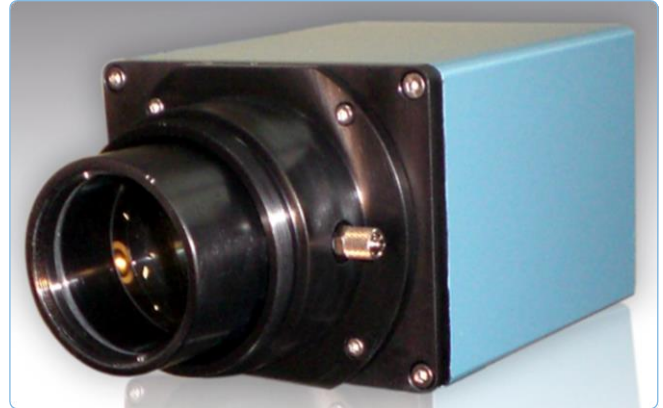
**AST A4-IN** can hold multiple data base so that single instrument can be easily

switched between multiple application like Molten metal, Extruded profiles, Rolled

It has a laser pointer which is aligned in line with the detector so that it ensures both laser and detector looks in to the same spot. This helps precise aiming even in long distances.

**AST A4-IN** offer Bluetooth communication so that it can communicate with Android

smart phones or laptop for viewing the measured temperature and for adjusting

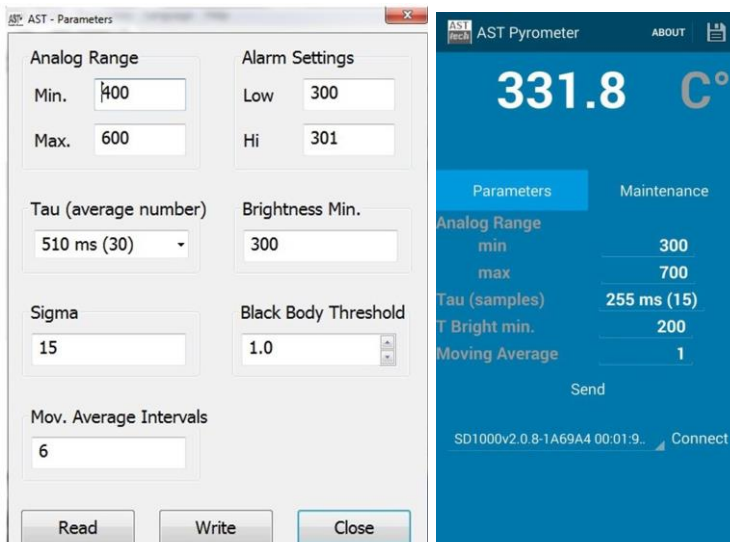


### Software

A4-SW

A4-SW A Mobile

◆ Measurement Readout ◆ Parameterization ◆ Data logging



### Features

- \* Simple to use - No calibration required
- \* High accuracy - (1%) in real site conditions
- \* Capable of measuring targets with variable emissivity
- \* Measures through smoke, dust
- \* Temperature range 350°C to 670°C; 400°C to 850°C; 450°C to 1000°C; 550 to 1270°C
- \* Rugged design
- \* Full range of accessories
- \* Wide range of built-in functions
- \* A4-SW Application software for PC
- \* A4-SW A Mobile Application software for Android via Bluetooth

### Standard Scope of Supply

- \* Integrated laser pilot light
- \* Digital Interface RS-232
- \* Calibration certificate, PC Software & Operation Manual

### Optional

- \* Mechanical and Electrical Accessories
- \* Analog Output : 0...20mA or 4....20mA or 0-10V or K type T/C
- \* Extra Cable Lengths
- \* RS422, USB, Bluetooth,

### Applications

- \* Aluminium Extrusion
- \* Profiles
- \* Billets
- \* Aluminium Rolling
- \* Aluminium Forging
- \* Aluminium Continuous Casting
- \* Molten Aluminium

We measure accurate temperature in extreme conditions

## Technical Specifications

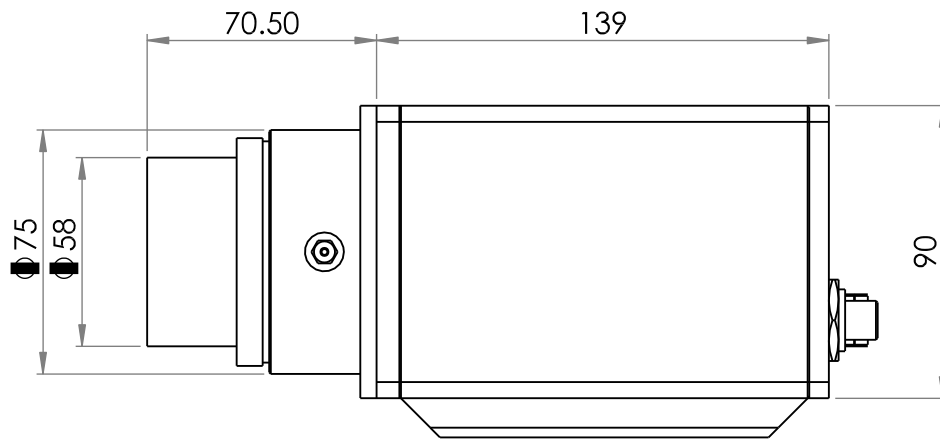
Model A4-IN	Specification
Emissivity	0.1 -1.0
Response Time	0.1 - 1.0 sec
Default Value	0.5 sec
Accuracy and Repeatability	±1%
Sighting	Integrated Laser Pilot Light
Power Supply	24VDC
Analog Output	4-20 mA, 0-20 mA, 0-10V, K Type T/C
Digital Output	RS-232, RS-422, USB, Bluetooth.
Digital Display	P110
Sensor overall dimensions	215 x 110 x 105.0 mm
Sensor weight	~2.0Kg
Operating temperature range	0°C +50°C
Storage temperature range	-20°C +70°C
Humidity	Unlimited for the sensor-head

## Spot Sizes

Measuring Distances(mm)	A4			
	Spot Sizes(mm) 350 - 670°C	Spot Sizes(mm) 400 - 850°C	Spot Sizes(mm) 450 - 1000°C	Spot Sizes(mm) 550 - 1270°C
1000	10	10	7	2.5
1500	15	15	7.5	3.75
2000	20	20	10	5
3000	30	30	15	7.5
5000	50	50	25	12.5

We measure accurate temperature in extreme conditions

## Pyrometer Drawing



## Accessories

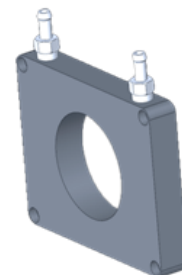
Adjustable Mounting  
(Reference no:200-01)



Air Purge Tube Adapter  
(Reference no: 200-02)



Water Cooling Plate  
(Reference no: 200-06)



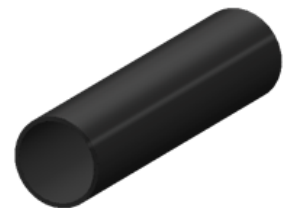
Display P110



Power Supply Unit  
(Reference no: 300-09)



Air Purge Tube 200 mm  
(Reference no: 200-03)



**Pyrosales**  
Total Sensor Solutions

Pyrosales Pty Ltd, 4 Wordie Place  
Padstow, NSW, 2211, Australia  
Ph: +61 2 9790 1988  
Fax: +61 2 9790 1040  
E-mail: sales@pyrosales.com.au



Manufactured by:

**AST**  
Accurate Sensors Technologies

We measure accurate temperature in extreme conditions