

## Highly Accurate On-Line Infrared Non-Contact Low Temperature Pyrometers for Aluminum and other Non-Ferrous Application

170°C to 550°C • 200°C to 650°C • 250°C to 870°C • 300°C to 1150°C

**AST A4-EX**

Materials with low or variable emissivity like Aluminum, Brass, Bronze, Copper and other non-gray body materials are quite impossible to measure accurately using single or ratio wavelength Infrared Pyrometers.

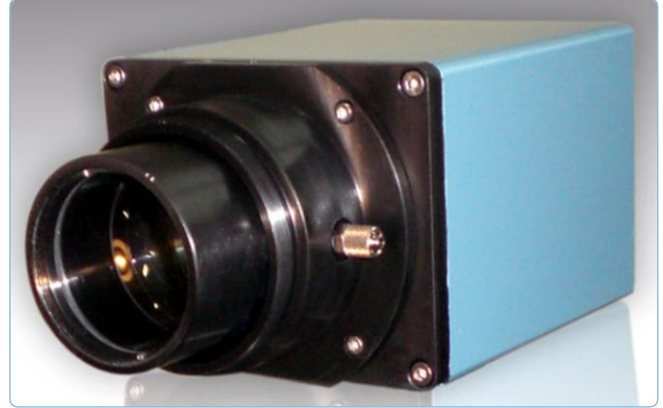
**AST A4-EX** is a Multi-wavelength plug and play pyrometer use application specific data base derived from years of experience in real application.

**AST A4-EX** use special algorithms to accurately calculate both the actual temperature and emissivity of the surface.

**AST A4-EX** can hold multiple data base so that single instrument can be easily switched between multiple application like Extruded profiles, Rolled aluminum surface, Continuous casting, Aluminum billets, Slabs etc.

It has a laser pointer which is aligned in line with the detector so that it ensures both laser and detector looks in to the same spot. This helps precise aiming even in long distances.

**AST A4-EX** offers Bluetooth communication so that it can communicate with Android smart phones or laptop for viewing the measured temperature and for adjusting the parameters / selection of data base and data logging.

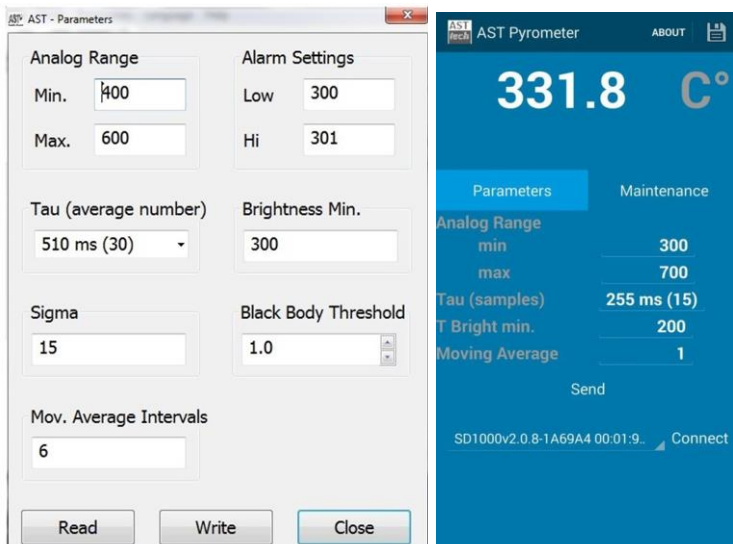


### Software

A4-SW

A4-SW A Mobile

◆ Measurement Readout ◆ Parameterization ◆ Data logging



### Features

- \* Simple to use - No calibration required
- \* High accuracy - (1%) in real site conditions
- \* Capable of measuring targets with variable emissivity
- \* Measures through smoke, dust, water vapor etc.
- \* Temperature range 170°C to 550°C; 200°C to 650°C; 250° to 870°C, 300 to 1150°C
- \* Rugged design
- \* Full range of accessories
- \* Wide range of built-in functions
- \* A4-SW Application software for PC
- \* A4-SW A Mobile Application software for Android via Bluetooth

### Standard Scope of Supply

- \* Integrated laser pilot light
- \* Digital Interface RS-232
- \* Calibration certificate, PC Software & Operation Manual

### Optional

- \* Mechanical and Electrical Accessories
- \* Analog Output: 0...20mA or 4....20mA or 0-10V or K type T/C
- \* Extra Cable Lengths
- \* RS422, USB, Bluetooth.

### Applications

- \* Aluminum Extrusion
- \* Aluminium Continuous Casting
- \* Profiles
- \* Billets
- \* Aluminium Rolling
- \* Aluminium Forging
- \* Cooper & Brass Billets
- \* Cooper & Brass Forging

We measure accurate temperature in extreme conditions

## Technical Specifications

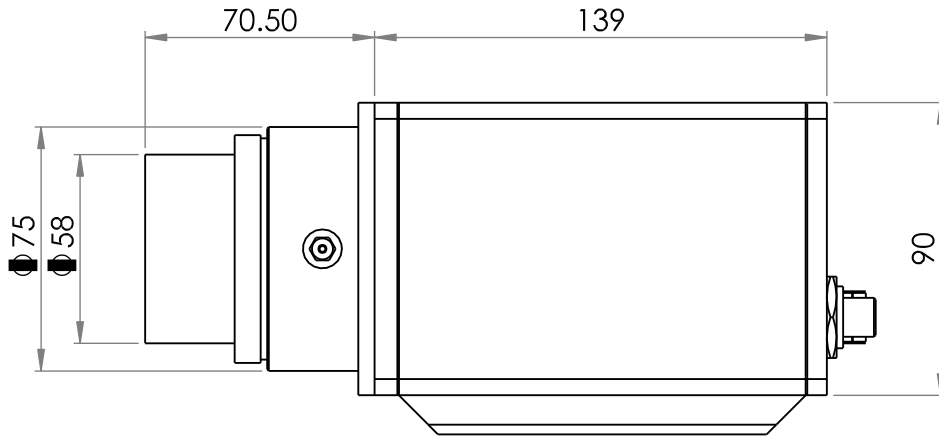
Model	A4-EX	Specification
Emissivity		0.1 -1.0
Response Time		0.1 - 1.0 sec
Default Value		0.5 sec
Accuracy and Repeatability		±1%
Sighting		Integrated Laser Pilot Light
Power Supply		24VDC
Analog Output		4-20 mA, 0-20 mA, 0-10V, K Type T/C
Digital Output		RS-232, RS-422, USB, , Bluetooth,
Digital Display		P110
Sensor overall dimensions		215 x 110 x 105.0 mm
Sensor weight		~2.0Kg
Operating temperature range		0°C +50°C
Storage temperature range		-20°C +70°C
Humidity		Unlimited for the sensor-head

## Spot Sizes

Measuring Distances(mm)	A4			
	Spot Sizes (mm) 170 - 550°C	Spot Sizes (mm) 200 - 650°C	Spot Sizes (mm) 250 - 870°C	Spot Sizes (mm) 300 - 1150°C
1000	10	10	10	5
1500	15	15	15	7.5
2000	20	20	20	10
3000	30	30	30	15
5000	50	50	50	25

We measure accurate temperature in extreme conditions

## Pyrometer Drawing



## Accessories

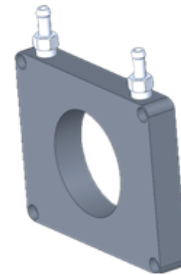
Adjustable Mounting  
(Reference no:200-01)



Air Purge Tube Adapter  
(Reference no: 200-02)



Water Cooling Plate  
(Reference no: 200-06)



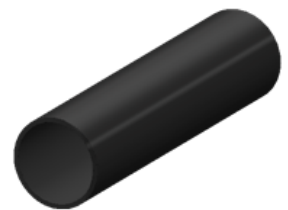
Display P110



Power Supply Unit  
(Reference no: 300-09)



Air Purge Tube 200 mm  
(Reference no: 200-03)



Pyrosales Pty Ltd, 4 Wordie Place  
Padstow, NSW, 2211, Australia  
Ph: +61 2 9790 1988  
Fax: +61 2 9790 1040  
E-mail: sales@pyrosales.com.au



Manufactured by:



We measure accurate temperature in extreme conditions